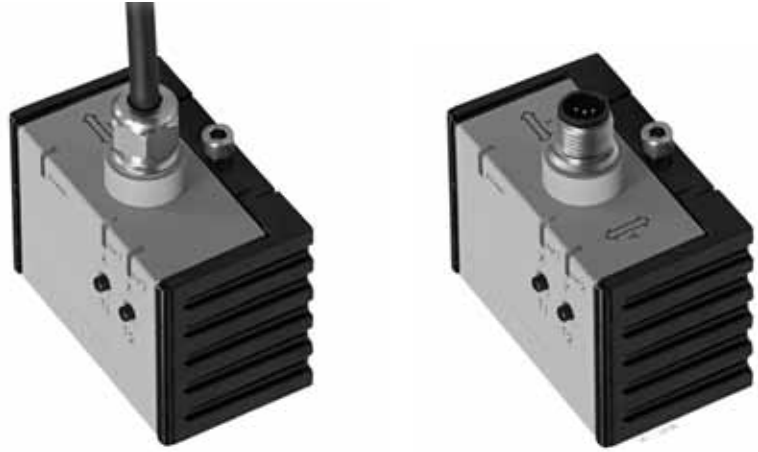


## Inclination Sensor Special Application

- Measuring range 0 ... 360°
- Single and dual axis
- Range configurable
- High shock resistance
- e1-Type approval
- EMC resistance 100 V/m
- 2 configurable switch outputs
- Analog output 0 V ... 5 V
- Analog output 4mA...20mA



See pages  
1009-1076  
for cordsets



See pages  
1105-1128 for  
accessories

### Technical Specifications

		INX360D-F99-I2E2-5M	INX360D-F99-U2E2-5M	INX360D-F99-I2E2-V15	INX360D-F99-U2E2-V15	INY360D-F99-2I2E2-5M	INY360D-F99-2U2E2-5M	INY360D-F99-2I2E2-V17	INY360D-F99-2U2E2-V17
Type	Inclination sensor, 1-axis	•	•	•	•				
	Inclination sensor, 2-axis					•	•	•	•
Measurement range	0 ... 360 °	•	•	•	•	•	•	•	•
Absolute accuracy	≤ ± 0.5 °	•	•	•	•	•	•	•	•
Resolution	≤ 0.1 °	•	•	•	•	•	•	•	•
Operating voltage	10 ... 30 V DC	•	•	•	•	•	•	•	•
No-load supply current	≤ 25 mA	•	•	•	•	•	•	•	•
Operating display	LED, green	•	•	•	•	•	•	•	•
Switching state	2 yellow LEDs: Switching status (each output)	•	•	•	•	•	•	•	•
Switching output									
Output type	2 switch outputs PNP, NO , reverse polarity protected , short-circuit proof	•	•	•	•	•	•	•	•
Operating current	≤ 100 mA	•	•	•	•	•	•	•	•
Voltage drop	≤ 3 V	•	•	•	•	•	•	•	•
Analog output									
Output type	1 voltage output 0 ... 5 V				•				
	1 current output 4 ... 20 mA	•	•	•					
	2 voltage outputs 0 ... 5 V (one output for each axis)						•		•
	2 current outputs 4 ... 20 mA (one output for each axis)							•	•
Load resistor	≥ 1 kΩ		•		•		•		•
	0 ... 200 Ω at U <sub>B</sub> = 10 ... 18 V	•		•		•		•	
	0 ... 500 Ω at U <sub>B</sub> = 18 ... 30 V		•		•		•		•
Ambient temperature	-40 ... 85 °C (-40 ... 185 °F)	•	•	•	•	•	•	•	•
Connection type	M12 x 1 connector, 5-pin			•	•			•	•
	M12 x 1 connector, 8-pin							•	•
	5 m, PUR cable 5 x 0.5 mm <sup>2</sup>	•	•						
	5 m, PUR cable 7 x 0.5 mm <sup>2</sup>					•	•		
Housing material	PA	•	•	•	•	•	•	•	•
Protection degree	IP68 / IP69K	•	•	•	•	•	•	•	•
Shock and impact resistance	100 g according to DIN EN 60068-2-27	•	•	•	•	•	•	•	•
Standards	EN 60947-5-2:2007	•	•	•	•	•	•	•	•
	IEC 60947-5-2:2007	•	•	•	•	•	•	•	•
CSA approval	cCSAus Listed, General Purpose, Class 2 Power Source	•	•	•	•	•	•	•	•
e1 Type approval	2006/28/EG	•	•	•	•	•	•	•	•



Subject to modifications without notice

Pepperl+Fuchs Group  
www.pepperl-fuchs.com

USA: +1 330 486 0001  
fa-info@us.pepperl-fuchs.com

Germany: +49 621 776-4411  
fa-info@de.pepperl-fuchs.com

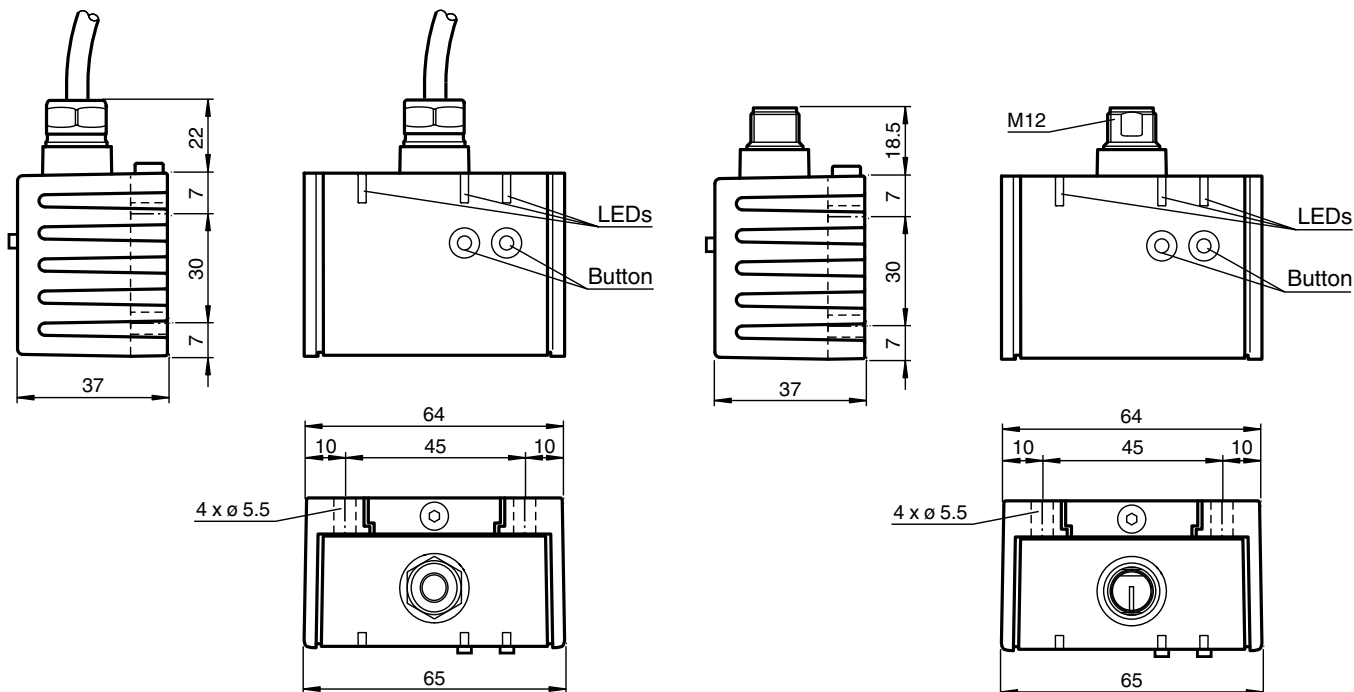
Copyright Pepperl+Fuchs  
Singapore: +65 6779 9091  
fa-info@sg.pepperl-fuchs.com

**PEPPERL+FUCHS**  
SENSING YOUR NEEDS

## Dimensions (mm)

INX360D-F99-I2E2-5M  
 INX360D-F99-U2E2-5M  
 INY360D-F99-2I2E2-5M  
 INY360D-F99-2U2E2-5M

INX360D-F99-I2E2-V15  
 INX360D-F99-U2E2-V15  
 INY360D-F99-2I2E2-V17  
 INY360D-F99-2U2E2-V17



## Wiring Diagrams

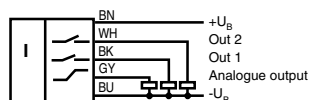


### Quick Disconnect

Note: Wiring diagrams show quick disconnect pin numbers.

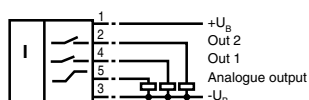
INX360D-F99-I2E2-5M  
 INX360D-F99-U2E2-5M

Standard symbol/Connection:

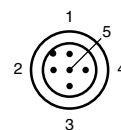


INX360D-F99-I2E2-V15  
 INX360D-F99-U2E2-V15

Standard symbol/Connection:



### V17 Type

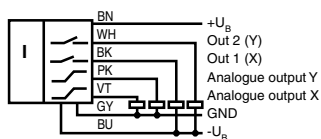


Wire colors in accordance with EN 60947-5-2

1	BN
2	WH
3	BU
4	BK
5	GY

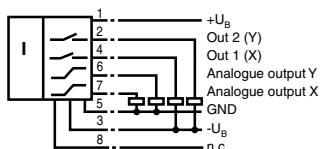
INY360D-F99-2I2E2-5M  
 INY360D-F99-2U2E2-5M

Standard symbol/Connection:

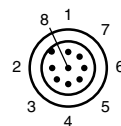


INY360D-F99-2I2E2-V17  
 INY360D-F99-2U2E2-V17

Standard symbol/Connection:



### V15 Type



Wire colors in accordance with EN 60947-5-2

1	WH
2	BN
3	GN
4	YE
5	GY
6	PK
7	BU
8	RD

